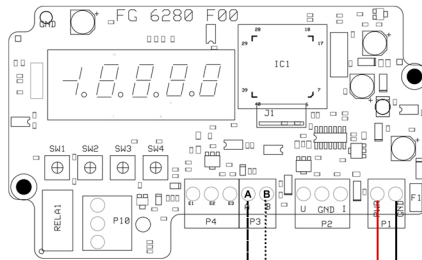
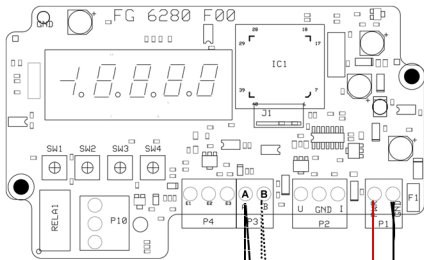




6280 GP - Room 1
(Modbus address 5)



6280 GP - Room 2
(Modbus address 6)



Modbus cable
Twisted pair com cable
2x0,32mm² (AWG28)
Depends on cable length.
Longer = 0,5mm² /AWG24

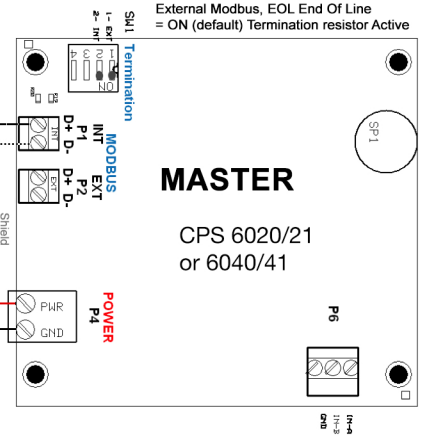
24 VDC Power cable
Aprox 2x0,32mm² (AWG28)
Depends on cable length.
Longer = 0,5mm² /AWG24

24 VDC Power cable
Aprox 2x0,32mm² (AWG28)
Depends on cable length.
Longer = 0,5mm² /AWG24

24 VDC Power cable
Aprox 2x0,32mm² (AWG28)
Depends on cable length.
Longer = 0,5mm² /AWG24



Modbus Termination SW1
Internal Modbus, SOL Start of Line
= ON (default) Termination resistor Active
External Modbus, EOL End Of Line
= ON (default) Termination resistor Active



MASTER

CPS 6020/21
or 6040/41

FUSE

Electrical junction box



24 VDC TRANSFORMER



SUPPLY/MAIN 230 VAC

PSIDAC
Care is in the Air

By: Roger Sundberg

Rev. 1.0

Date 12/1-2021

Project CPS 6020/21 or 6040/41
System CPS Master and 2 room Pressure 6280

Wiring Example: Supply 24 VDC & Modbus Internal

This is just a wiring example. PSIDAC can not be held responsible for any wirings errors or problems caused by following this example.