

Flow Guard 6283

Advanced Pressure Transmitter



Applications:

- Room pressure
- Laboratories
- Isolation room
- Flow measurement
- Static pressure
- Clean rooms
- Hospitals
- Server rooms

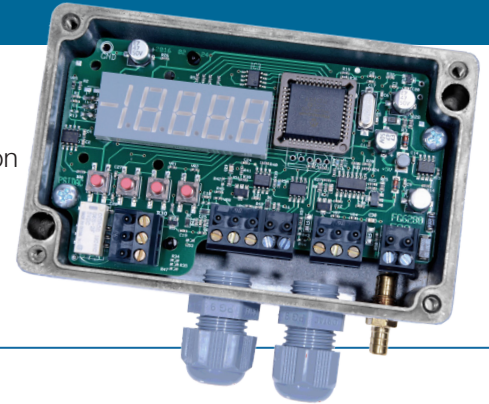
PSIDAC

Care is in the Air

FlowGuard 6283

6283 Features:

- LED-Display for setup
- Easy to install and configure
- Accurate / flexible
- Optional visible display
- Field selectable output
- Field selectable unit
- ACPH, l/s, m/s, Pa
- Volt and mA output
- Optional Auto calibration
- Optional Alarm relay
- ModBus
- CPS ready



The FlowGuard 6283 is an advanced transmitter that is designed with the user and installer in mind. The 6283 eliminates many of the problems that traditional sensors suffer from and provides as much flexibility as possible.

The unit has field selectable features like Unit (Pascal, l/s m/s ACPH), Signal output (mA or Volt) and Signal volt outputs (0-10, 0-5, 2-10). Different predefined measuring ranges (5, 10, depending on selected models) are available and these can be changed by the user to other values. E.g. if you select the 50 range and wish to change it to a 0-60 range.

With all these options in one sensor you cover most situations for room pressure measurements and HVAC duct flow measurements etc. If airflow in a duct, select unit l/s or ACPH. For l/s set duct size and k-factor. For ACPH just set room volume. If room pressure application and 6283 [B] Bidirectional version, the output is configured to work in Uni or Bidirectional mode. And to simplify the installation, the 6283 uses display and push buttons to make the settings easy.

The sensor has a silicone membrane and works with capacitive technique. It's extremely accurate and durable. To further improve it, auto calibration is an option for applications where any small drift over time is not accepted, as in hard to reach locations, or when the sensor is configured for very low pressures like ± 5 Pa.

With the optional relay a simple alarm function can be achieved. One example of measuring ACPH is air supply to a room. If flow is too low a LED light tower connected directly to the 6283 relay will warn staff with a light by the door. Simple and quick installations. And yes, the alarm levels can be reached by BMS through the Modbus if wanted. The Modbus feature adds more value to the product since all settings and parameters can be reached from a BMS/Scada

Type designation:

Part no example: **6283B0250ZRx5**

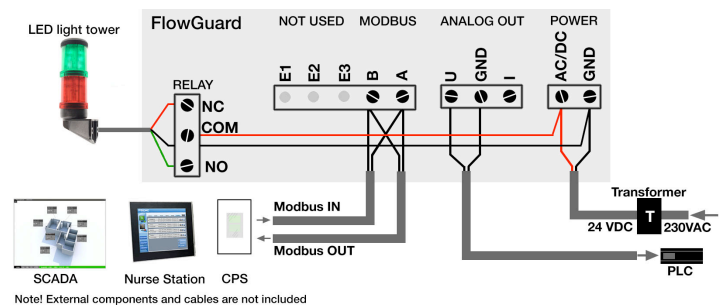
Model no.	Sensor	Range	Options	Connectors	Special
6283	B	0250	ZRx	5	xxx
4pos	1 pos	4pos	3pos	1pos	3pos
	B/T/U	0250	Z/R/D	5 mm	Special ver
	B=Bidirect ±	0500	Z=AutoZero	6 mm*	
	T=Thermal	1250	R=Relay		
	U=Unidirect +	2500	D=Display	*6mm and 1/4"	

Specifications:

Range*	
6283_500	0-500 Pa
6283_B_250	± 250 Pa
6283_B_500	± 500 Pa
6283_B_1250	± 1250 Pa
6283_2500	0-2500 Pa
*Other ranges available on request	
Non linearity	$\pm 0,3$ pascal +0,1% of reading, typical
Stability	$\pm 0,2$ % typ.(1 year) Typical
Time constant	0.1 - 20 seconds
Output	0-5, 1-5, 0-10, 1-10, 2-10 V or 4-20mA, 0-20 mA
Output Range	Unit depending, select in steps
Resolution	10 bit digital output
Supply	18-24 V AC/DC, 50 mA
Optional Relay	24 VAC/DC 1A max
Temp range operation*	-10...50 °C (-14...122 °F)*
Humidity range	0...95 % RH (non condensing)
Dimension	125x90x60 mm
Weight	530 g
Hose connectors \varnothing	5/ 6/ 1/4" mm specified at order

* Temp range operation for model with AutoZero is -5 to 50.
Features & specifications are subject to change without notice.

Wiring example:



Document: 6283_Product-leaflet-A4-ver15-PSIDAC