

# Flow Guard 6280

## Advanced Pressure Transmitter



### Applications:

- Room pressure
- Laboratories
- Isolation room
- Industry
- Static pressure
- Clean rooms
- Hospitals
- Server rooms

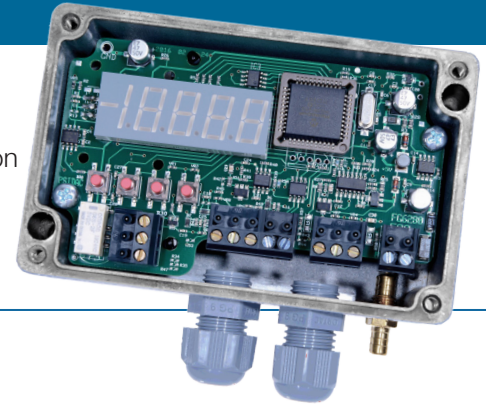
# PSIDAC

Care is in the Air

# FlowGuard 6280

## 6280 Features:

- LED-Display for setup
- Easy to install and configure
- Optional visible display
- Field selectable output
- Optional Alarm relay
- Accurate / flexible
- Optional Auto calibration
- Volt and mA output
- ModBus, CPS ready



The FlowGuard 6280 is an advanced transmitter that is designed with the user and installer in mind. The 6280 eliminates many of the problems that traditional sensors suffer from and provides as much flexibility as possible.

The unit has field selectable features like Signal output (mA or Volt) and Signal volt outputs (0-10, 0-5, 2-10). Different pre-defined measuring ranges (5, 10, .... depending on selected models) are available in the menu.

With these options in one sensor you cover most situations for room pressure measurements. E.g. an application with positive room pressure the Unidirect [U] sensor model is selected. And the High & Low alarms is used with the CPS single mode. Or a Bidirect [B] sensor is selected and you can select if you use the room in either Positive or Negative pressure. The output is configured to Bidirectional mode (zero pressure = middle of analogue output signal). The 6280 High & Low alarm works with the CPS system in the selected positive or negative room in a Single room mode. The installation is simple with the 6280 using the display and push buttons configuring the settings.

The sensor has a silicone membrane and works with capacitive technique. It's extremely accurate and durable. To further improve it, auto calibration is an option for applications where any small drift over time is not accepted, as in hard to reach locations, or when the sensor is configured for very low pressures like  $\pm 5$  Pa.

With the optional relay a simple alarm function can be achieved. An example is measuring pressure in a room. If pressure is too low a LED light tower connected directly to the 6280 relay will warn staff with a light by the door. Simple and quick installations. The alarm level can be reached by Modbus if wanted. Through Modbus all settings and parameters can be reached from a BMS/Scada.

## Type designation:

Part no example: **6280B0250ZRx5**

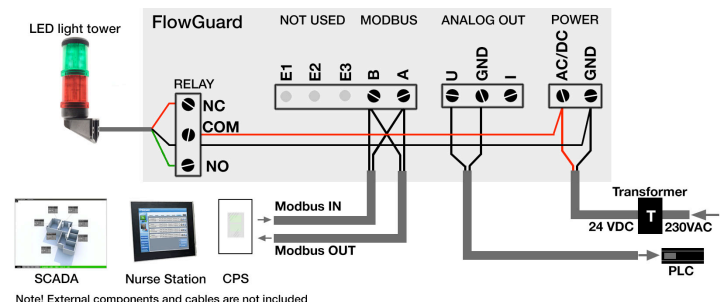
| Model no.   | Sensor           | Range       | Options    | Connectors    | Special     |
|-------------|------------------|-------------|------------|---------------|-------------|
| <b>6280</b> | <b>B</b>         | <b>0250</b> | <b>ZRx</b> | <b>5</b>      | <b>xxx</b>  |
| 4pos        | 1 pos            | 4pos        | 3pos       | 1pos          | 3pos        |
|             | B/T/U            | 0250        | Z/R/D      | 5 mm          | Special ver |
|             | B=Bidirect $\pm$ | 0500        | Z=AutoZero | 6 mm*         |             |
|             | T=Thermal        | 1250        | R=Relay    |               |             |
|             | U=Unidirect +    | 2500        | D=Display  | *6mm and 1/4" |             |

## Specifications:

|                                    |  |
|------------------------------------|--|
| Range*                             | 0-500 Pa   |
| 6280_500                           | $\pm 250$ Pa                                       |
| 6280_B_250                         | $\pm 500$ Pa                                       |
| 6280_B_500                         | $\pm 1250$ Pa                                      |
| 6280_B_1250                        | 0-2500 Pa  |
| 6280_2500                          |  |
| *Other ranges available on request |  |
| Non linearity                      | $\pm 0,3$ pascal $+0,1\%$ of reading, typical      |
| Stability                          | $\pm 0,2$ % typ.(1 year) Typical                   |
| Time constant                      | 0.1 - 20 seconds                                   |
| Output                             | 0-5, 1-5, 0-10, 1-10, 2-10 V<br>or 4-20mA, 0-20 mA |
| Output Range                       | Unit depending, select in steps                    |
| Resolution                         | 10 bit digital output                              |
| Supply                             | 18-24 V AC/DC, 50 mA                               |
| Optional Relay                     | 24 VAC/DC 1A max                                   |
| Temp range operation*              | -10...50 °C (-14...122 °F)*                        |
| Humidity range                     | 0...95 % RH (non condensing)                       |
| Dimension                          | 125x90x60 mm                                       |
| Weight                             | 530 g  |
| Hose connectors $\varnothing$      | 5/ 6/ 1/4" mm specified at order                   |

\* Temp range operation for model with AutoZero is -5 to 50. Features & specifications are subject to change without notice.

## Wiring example:



Document: 6280\_Product-leaflet-A4-ver15-PSIDAC