

Flow Guard 6279

Advanced Pressure Transmitter



Applications:

- Room pressure
- Laboratories
- Isolation room
- Industry
- Static pressure
- Clean rooms
- Hospitals
- Server rooms

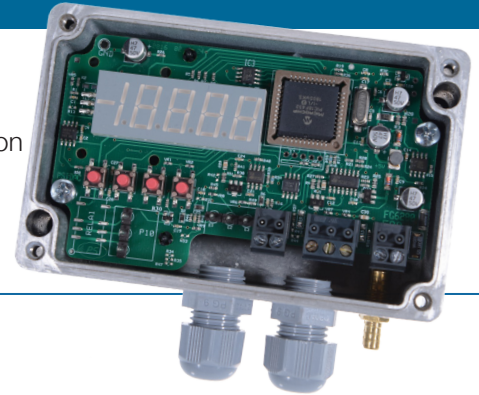
PSIDAC

Care is in the Air

FlowGuard 6279

6279 Features:

- LED-Display for setup
- Easy to install and configure
- Optional visible display
- Field selectable output
- Volt and mA output
- Accurate / flexible
- Optional Auto calibration
- ModBus



The FlowGuard 6279 is an advanced processor transmitter aimed for the standard pressure measurement tasks. It's designed with the user and installer in mind. The 6279 eliminate many of the problems that traditional sensors suffer from and provide as much flexibility as possible.

The unit has field selectable features like signal output (mA or Volt) and Signal volt outputs (0-10, 0-5, 2-10). Different predefined measuring ranges (5, 10, depending on selected models) are available. And to simplify the installation, the 6279 uses display and push buttons to make the settings easy.

With these options in one sensor you can cover e.g. static duct pressure measuring (unidirect [U] sensor), or most situations for room pressure measurements. And if the 6279 is ordered with Bidirectional sensor [B] it's possible to measure both positive and negative pressures. The analogue output will be at middle point of selected output range when pressure is at zero for the bidirect model.

The sensor has a silicone membrane and works with capacitive technique. It's extremely accurate and durable. To further improve it, auto calibration is an option for applications where any small drift over time is not accepted, as in hard to reach locations, or when the sensor is configured for very low pressures like ± 5 Pa.

And the pressure reading can be reached by BMS through the Modbus if wanted. The Modbus feature adds more value to the product since all settings and parameters can be reached from a BMS/Scada.

Type designation:

Part no example: **6279B0250Zxx5**

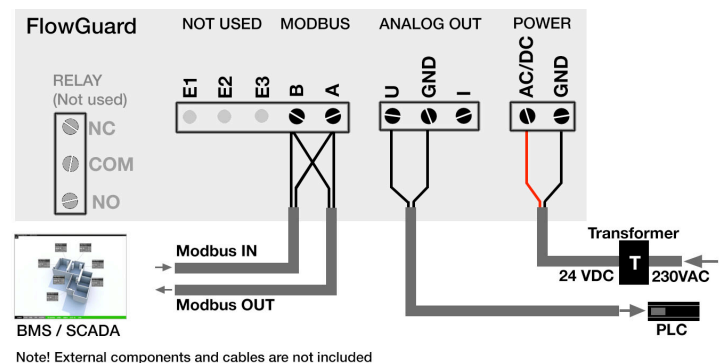
Model no.	Sensor	Range	Options	Connectors	Special
6279	B	0250	Zxx	5	xxx
4pos	1 pos	4pos	3pos	1pos	3pos
	B/T/U	0250	Z/D	5 mm	Special ver
	B=Bidirect \pm	0500	Z=AutoZero	6 mm*	
	T=Thermal	1250	D=Display		
	U=Unidirect +	2500	x=n/a (free pos)	*6mm and 1/4"	

Specifications:

Range*	
6279_500	0-500 Pa
6279_B_250	± 250 Pa
6279_B_500	± 500 Pa
6279_B_1250	± 1250 Pa
6279_2500	0-2500 Pa
*Other ranges available on request	
Non linearity	$\pm 0,3$ pascal +0,1% of reading, typical
Stability	$\pm 0,2$ % typ.(1 year) Typical
Time constant	0.1 - 20 seconds
Output	0-5, 1-5, 0-10, 1-10, 2-10 V or 4-20mA, 0-20 mA
Output Range	Unit depending, select in steps
Resolution	10 bit digital output
Supply	18-24 V AC/DC, 50 mA
Temp range operation*	-10...50 °C (-14...122 °F)*
Humidity range	0...95 % RH (non condensing)
Dimension	125x90x60 mm
Weight	530 g
Hose connectors \varnothing	5/ 6/ 1/4" mm specified at order

* Temp range operation for model with AutoZero is -5 to 50.
Features & specifications are subject to change without notice.

Wiring example:



Document: 6279_Product-leaflet-A4-ver15-PSIDAC